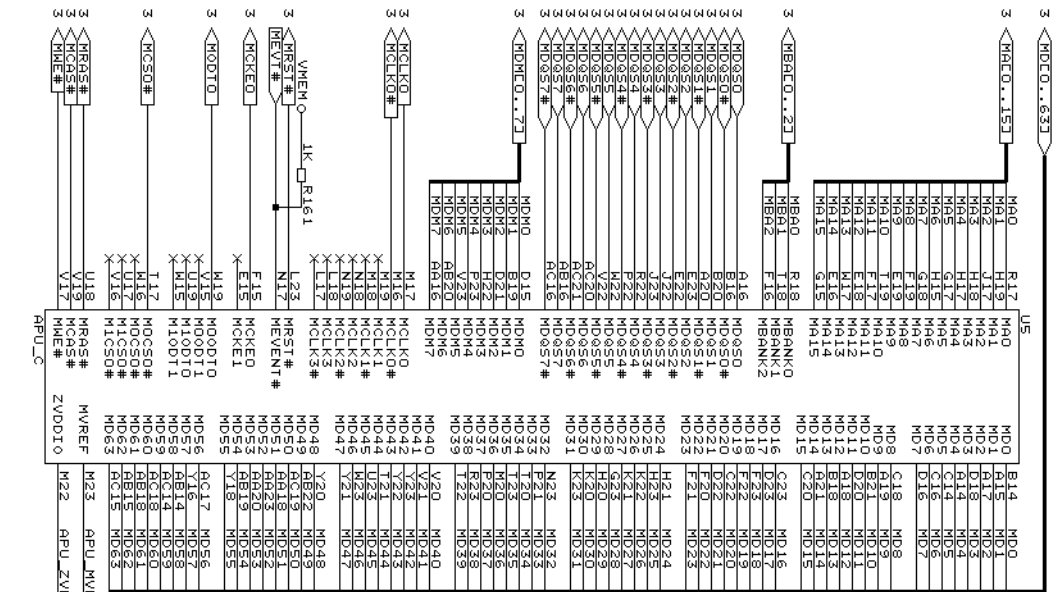
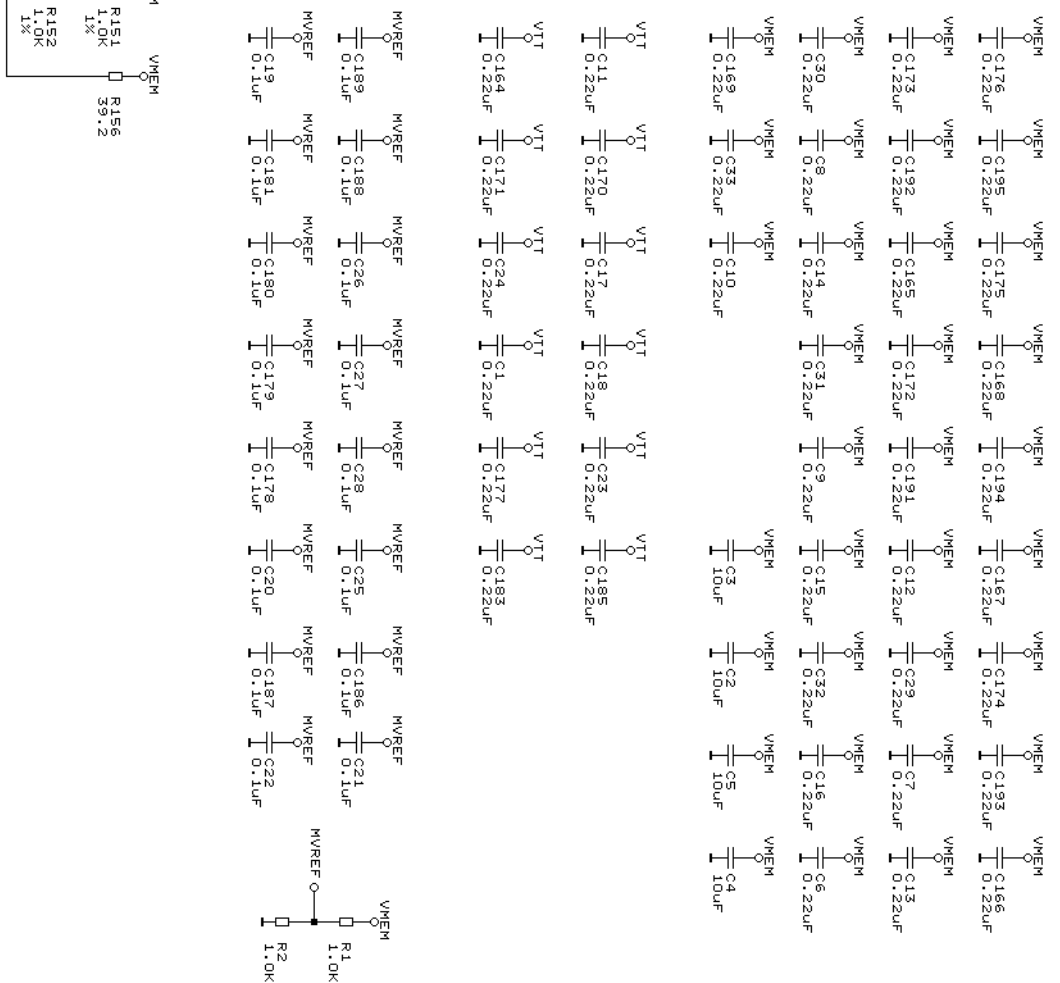


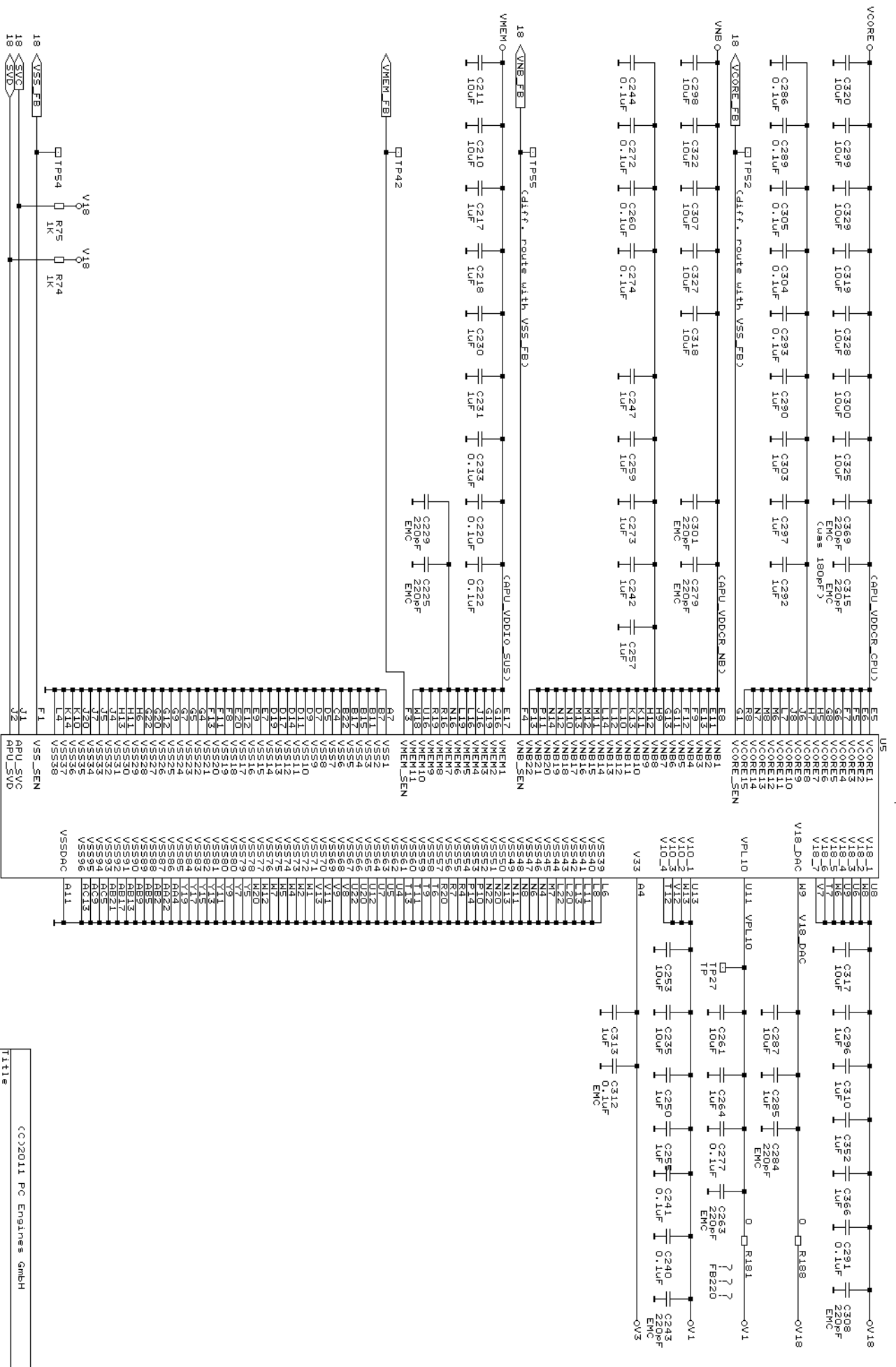
APU DRAM Interface



DRAM bypass

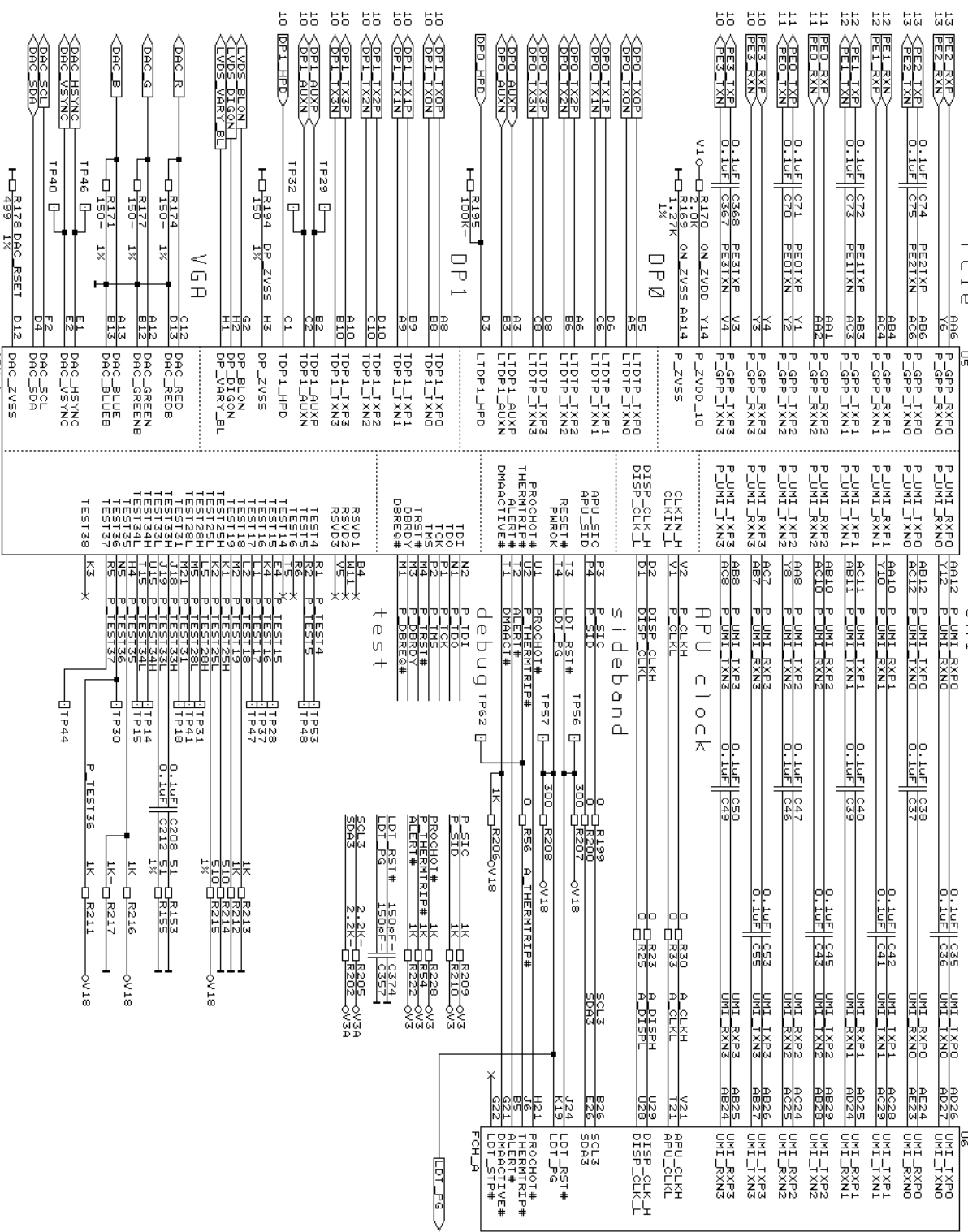


APU power

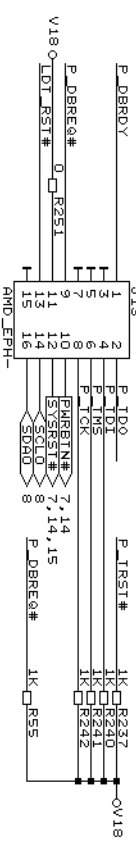


Title		CPU power	
Size/Document Number		apu	
Date:		May 4, 2013/Sheet 4 of 18	

PCIe APU UMI FCH

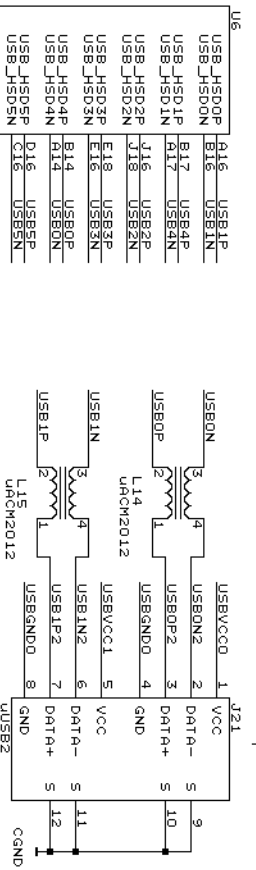


AMD embedded probe header

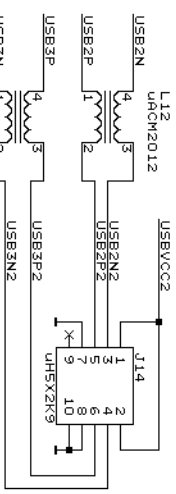


FCH USB, ACPI

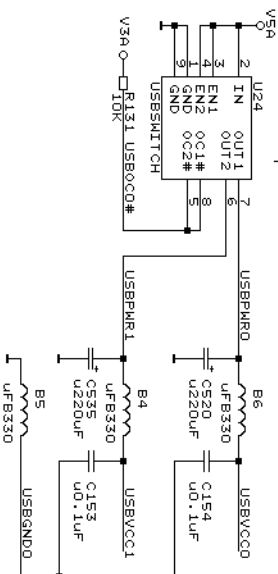
USB port



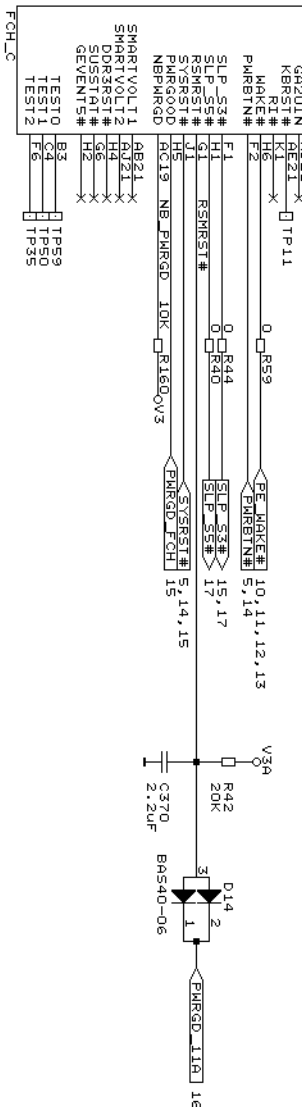
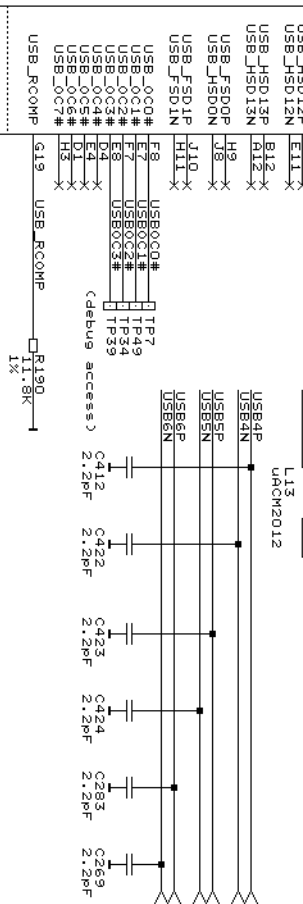
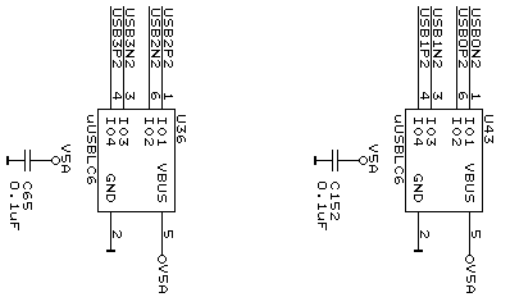
USB header

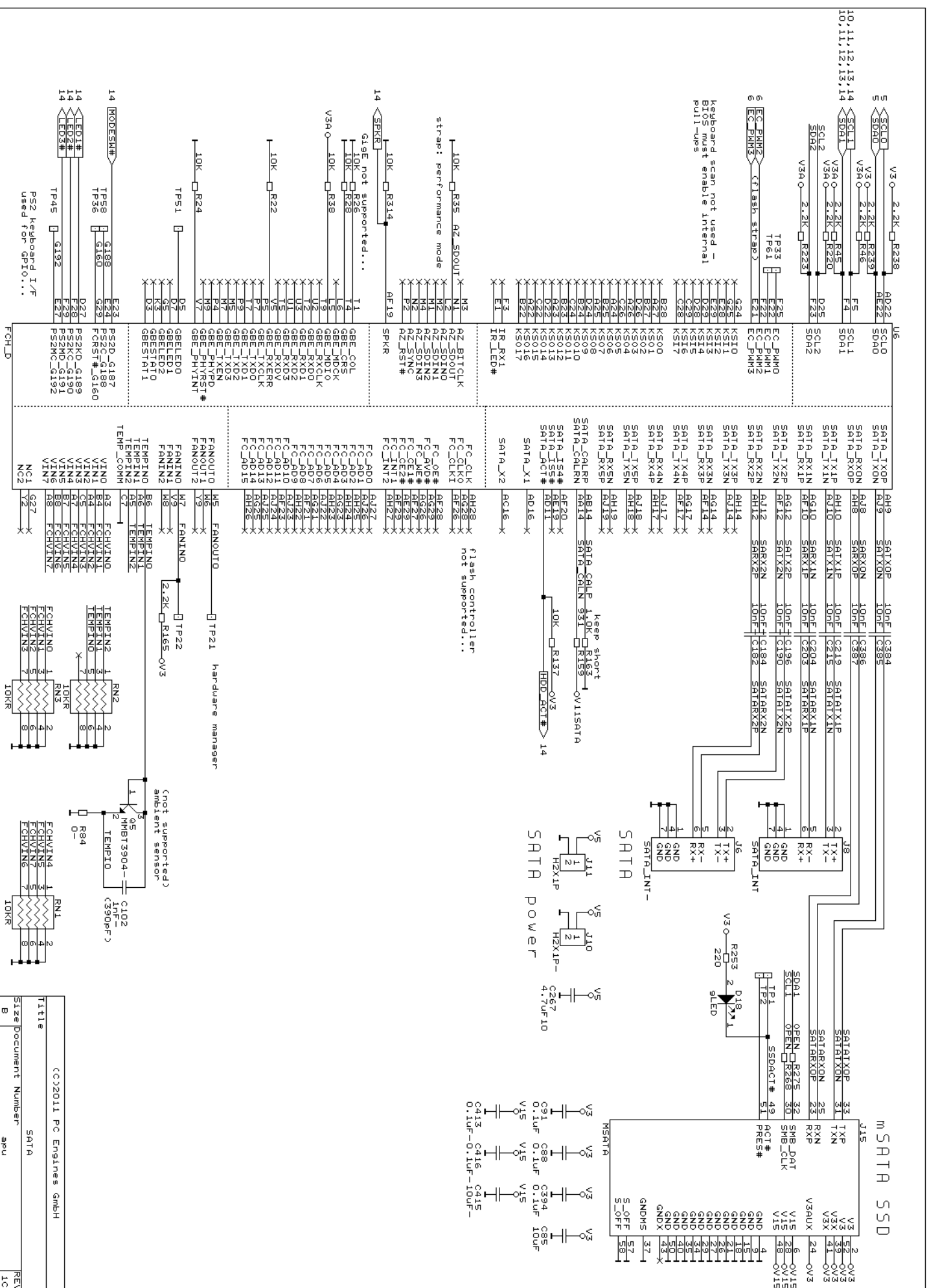


USB power

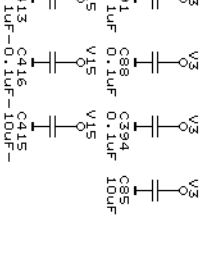
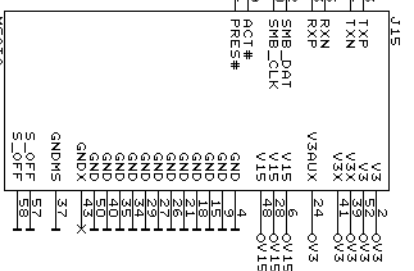


USB ESD





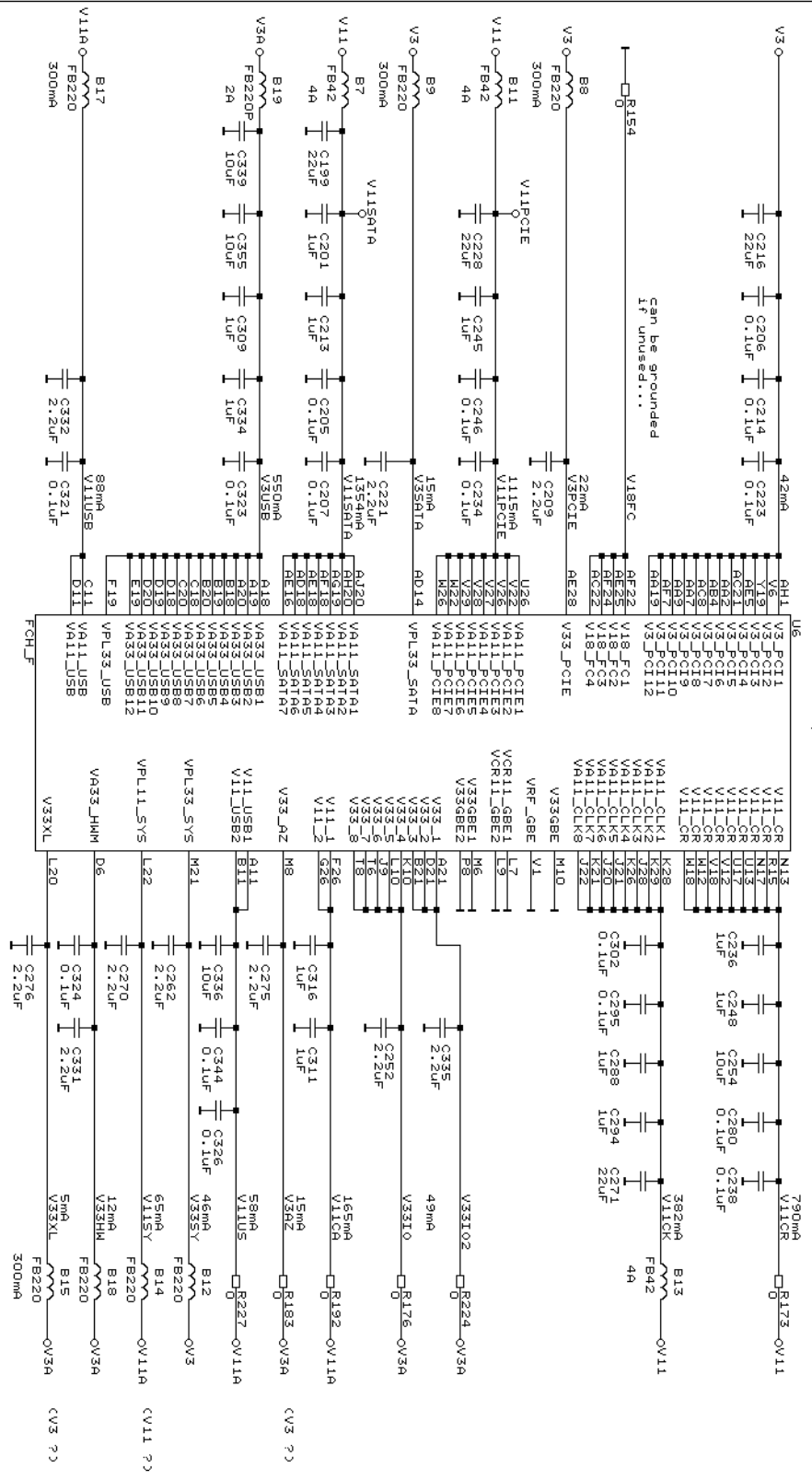
mSATA S5D



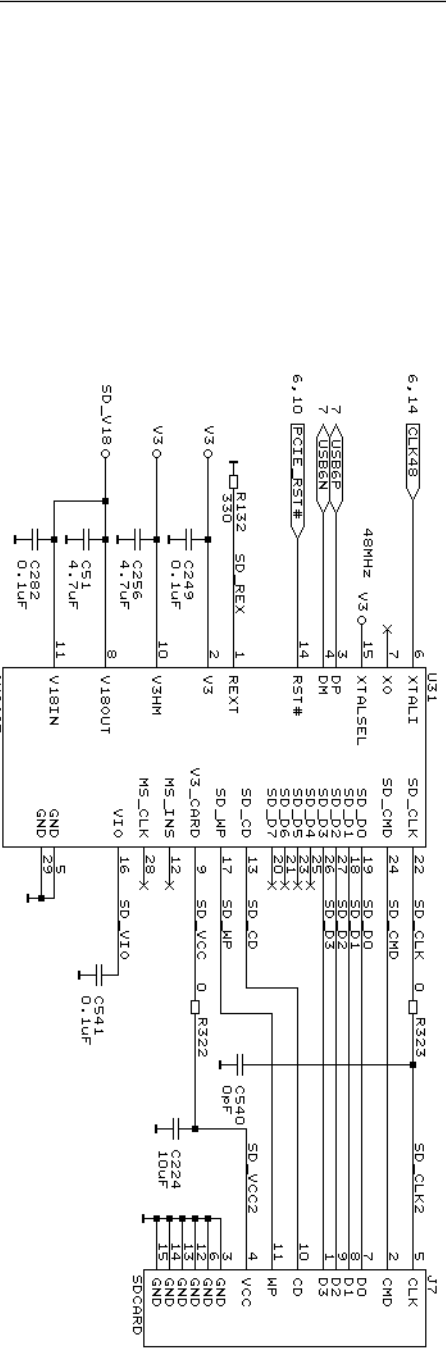
Title	SATA
Size/Document Number	apu
Date	September 27, 2013
Sheet	8 of 18

©2011 PC Engines GmbH

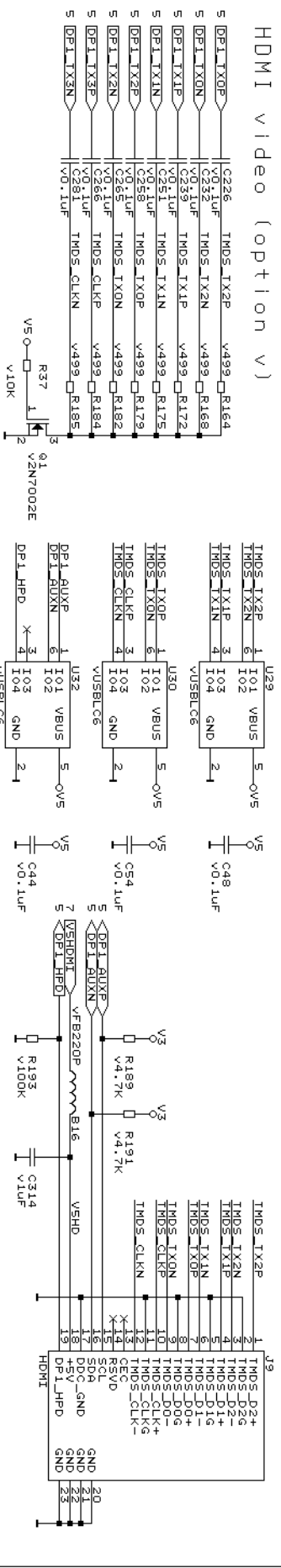
FCH power



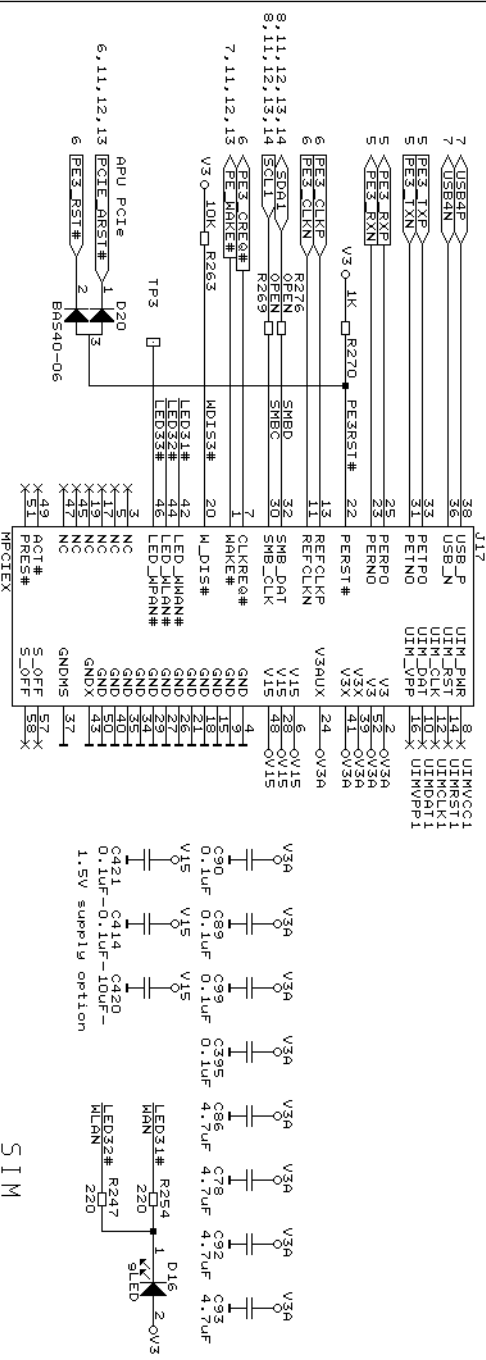
SD card interface



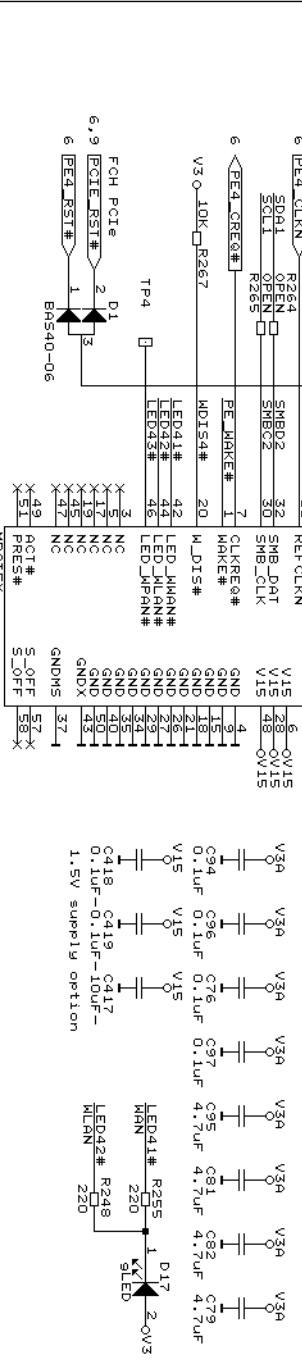
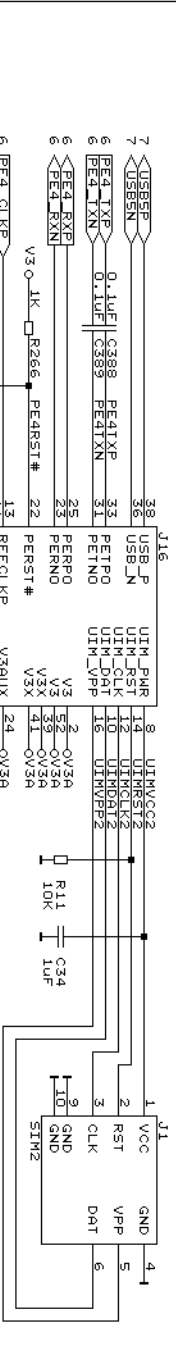
HDMI video (option v)



miniPCI Express



SIM



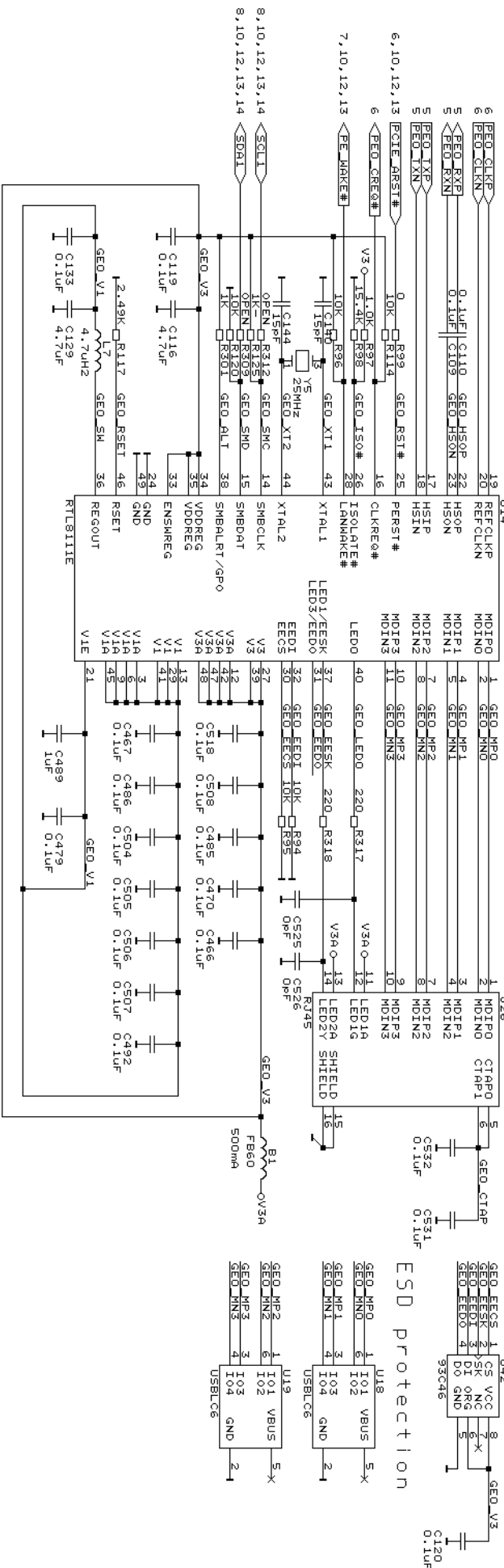
Title		HDMI video, miniPCI express	
Size/Document Number		apu	
Date		September 2, 2013	
Page		10 of 18	

Gigabit Ethernet 1

RJ45

EEPROM

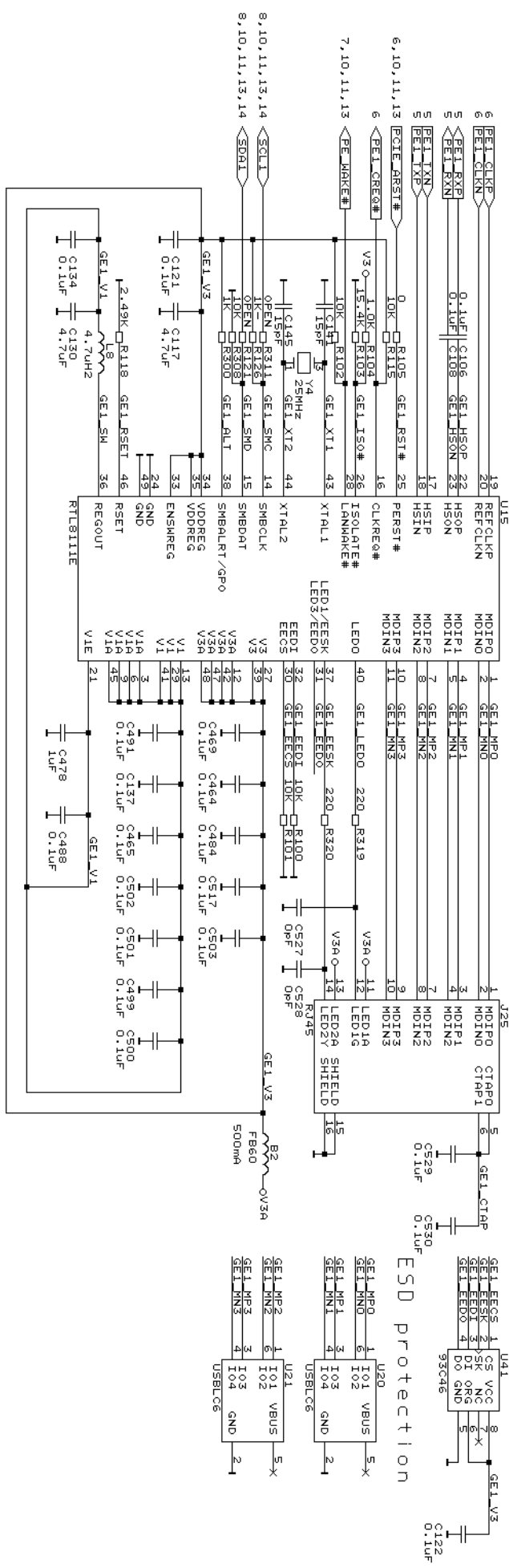
ESD protection



Gigabit Ethernet 2

RJ45

EEPROM

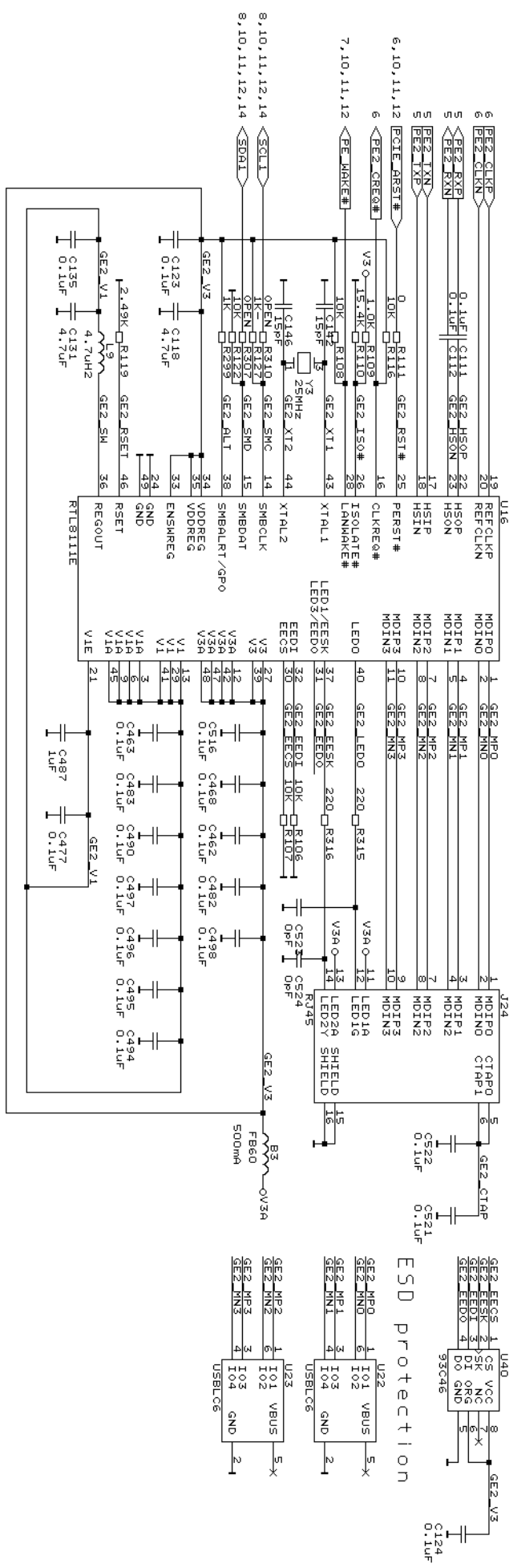


Title		Ethernet (2)	
Size/Document Number		apu	
Date: September 17, 2013		Sheet 12 of 18	
REV		1C	
©2011 PC Engines GmbH			

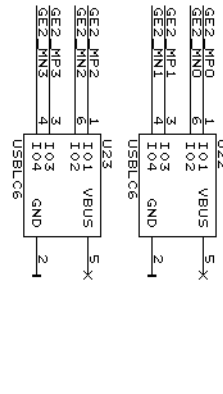
Gigabit Ethernet 3

RJ45

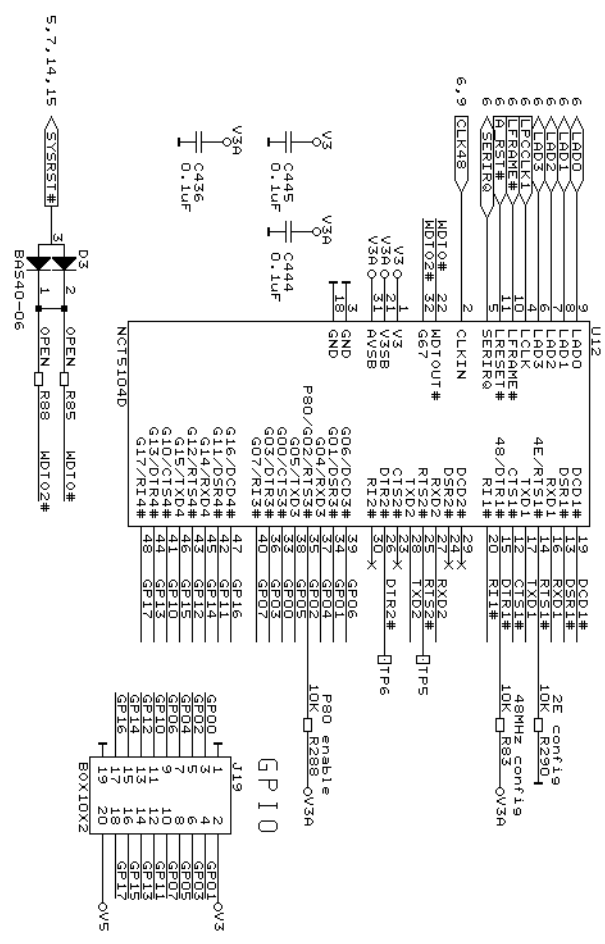
EEPROM



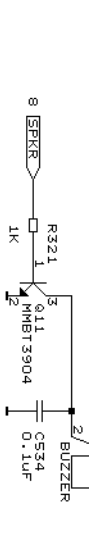
ESD protection



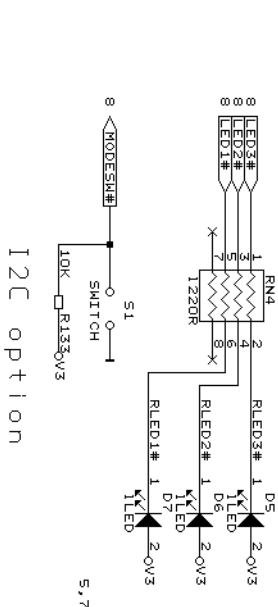
LPC UART + watchdog



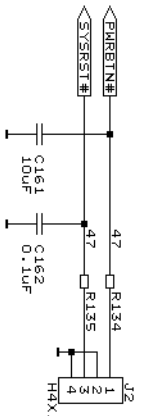
Buzzer



LED + switch



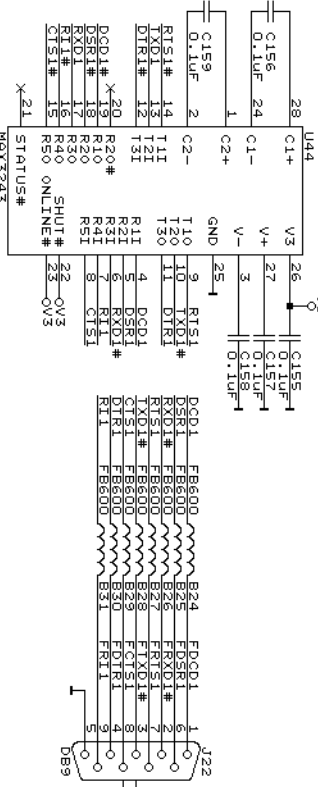
Debug LEDs



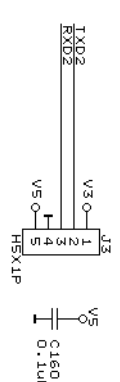
Reset / power button



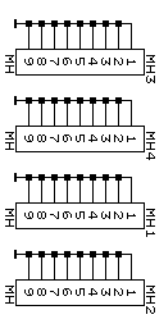
COM1



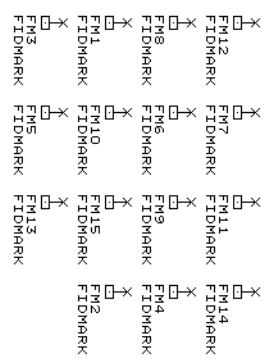
COM2



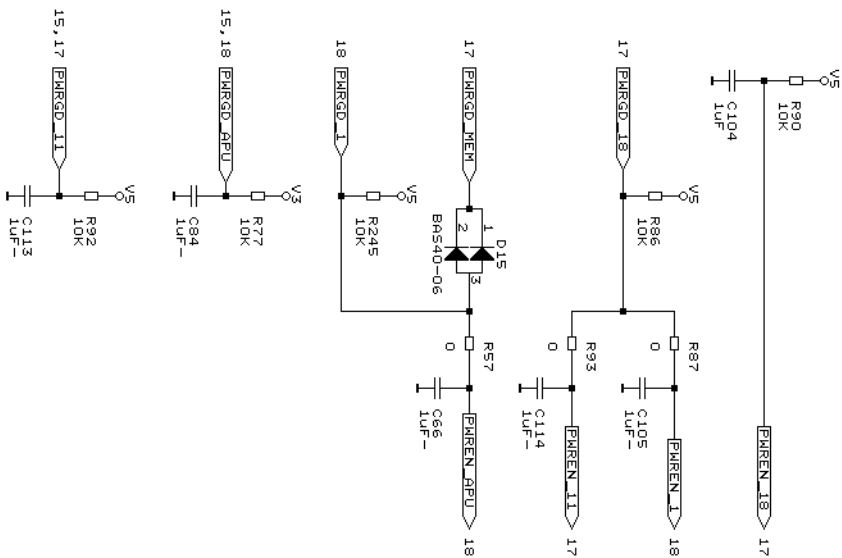
Mounting holes



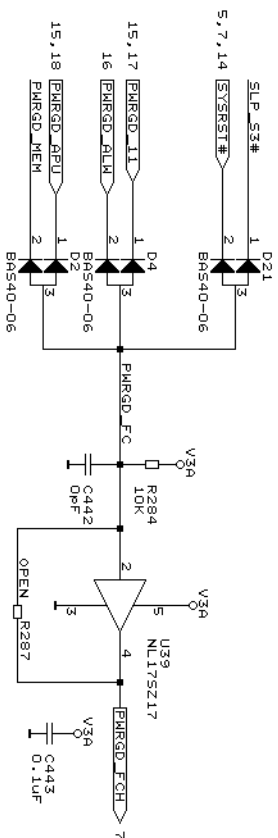
Fiducial marks



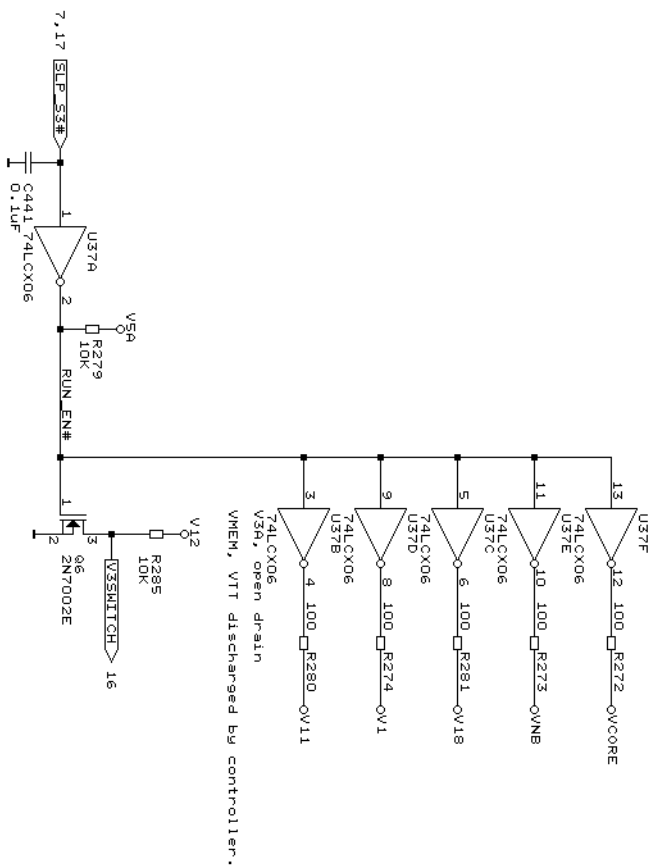
Power sequence



FCH power good



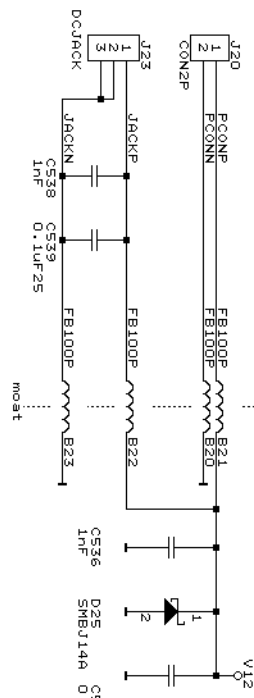
Voltage plane discharge



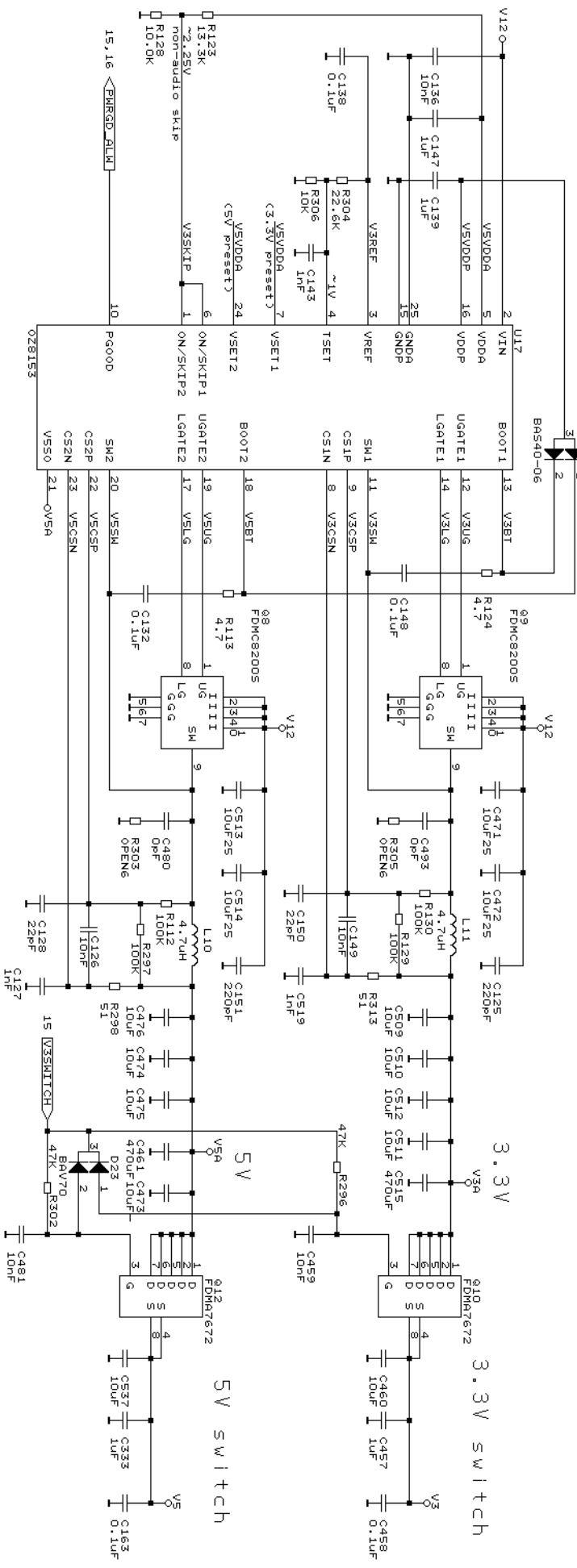
V3A, open drain
VMEM, VTT discharged by controller.

(C)2012 PC Engines GmbH	
Title	power sequence
Size	Document Number
B	apu
Date:	February 7, 2013
Sheet	15 of 18
REV	1C

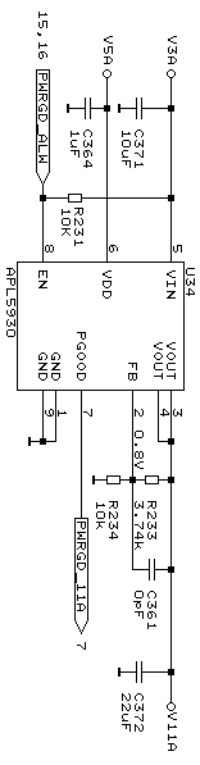
Power Input +12V



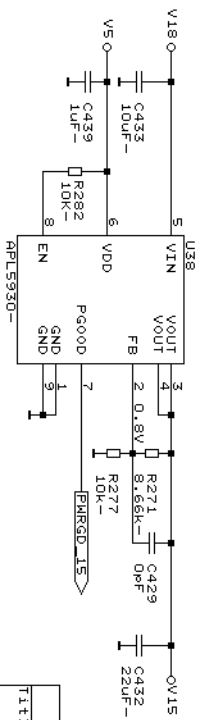
3.3V and 5V converter



3.3V always -> 1.1V LDO

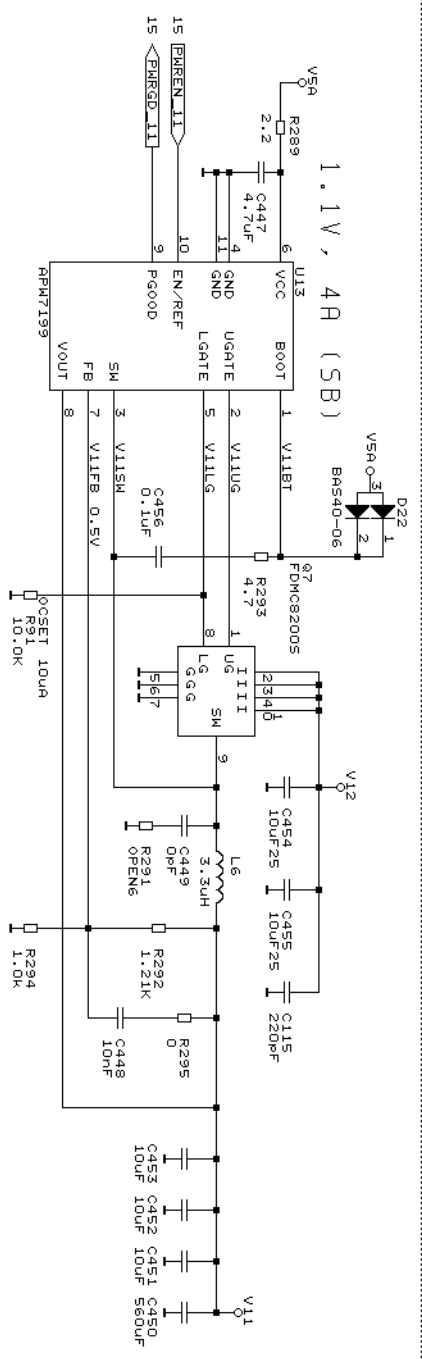
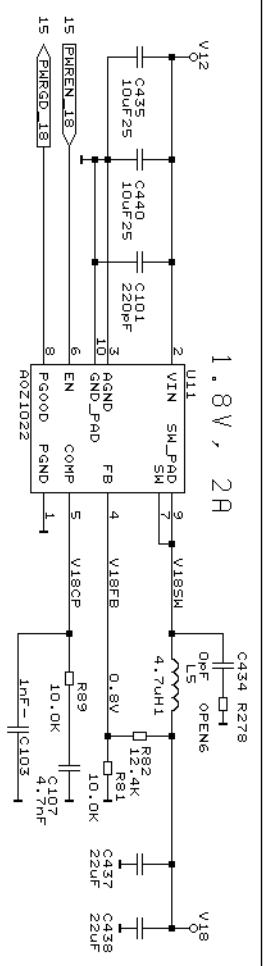


1.8V -> 1.5V LDO (option)

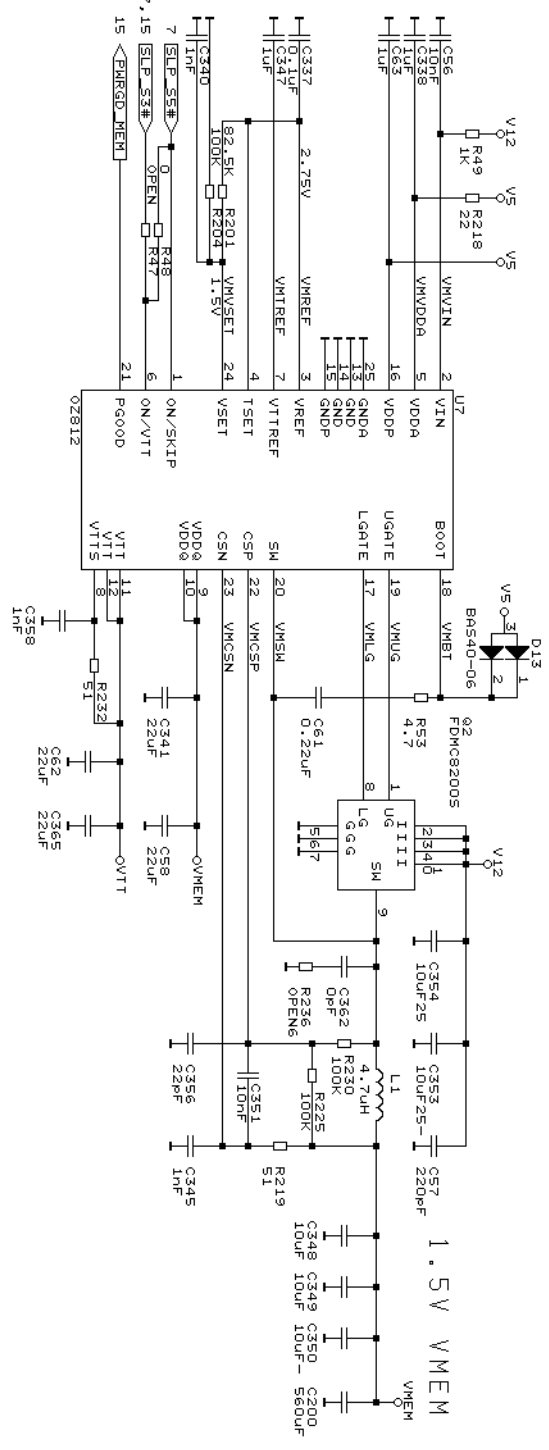


used for multiPCI express, normally not populated

Title		C©2012 PC Engines GmbH	
Size		Power In, 3.3V, 5V	
Document Number		apu	
REV		1C	
Date		September 2, 2013	
Sheet		16 of 18	

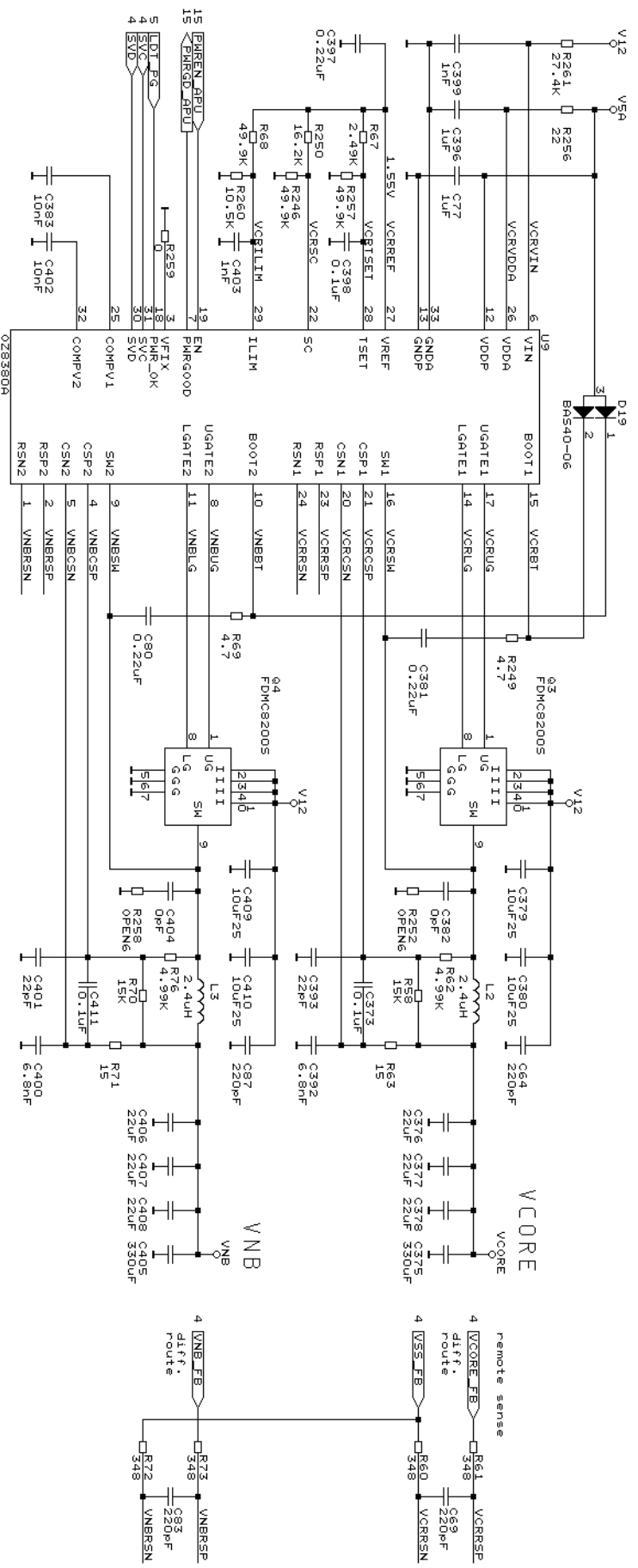


VMEM converter and VTT LDO



CC2012 PC Engines GmbH	
Title	1.8V, 1.1V, VMEM, VTT
Size	Document Number
B	apu
Date:	November 29, 2013
Sheet	17 of 18
REV	1C

VCORE and VNB converter



1.05V, 2.5A (CPU)

